

Driver

DH990	82
DH760	83
HB760	84
DH640	85
HB642	86
DH450	87
HB450	88
D34/D34M	89
H340A	90
H257	91

The Manufacturer of Professional Speaker

NEODYMIUM

DRIVER

DH990

- 180 Watt Max Power
- 2 inch throat exit
- 99.2mm (4 inch) voice coil
- 700Hz to 16kHz frequency response
- 110dB 1W@1m sensitivity
- Neodymium magnet structure

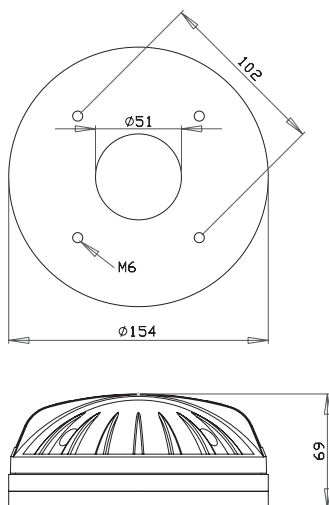


Specifications

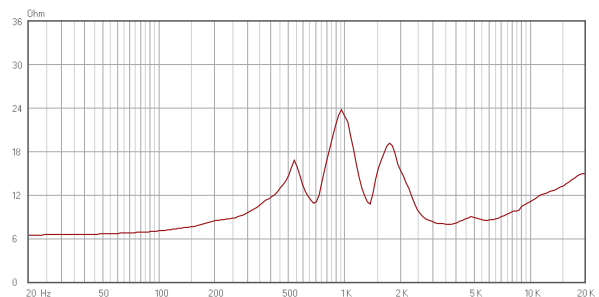
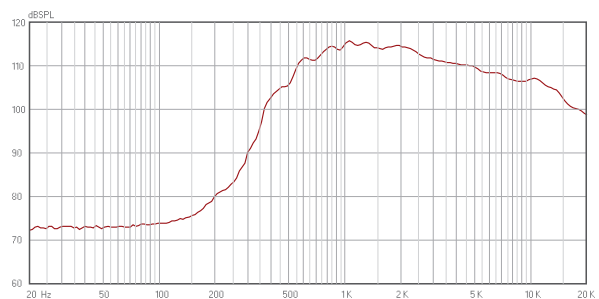
Model		DH990-8	DH990-16
Throat diameter	mm/in	51/2	
Power handling capacity	W	90	
Max power	W	180	
Nominal impedance	Ohm	8	16
Sensitivity (1W/1m)	dB	110	
Frequency range	Hz	700-16K	
Voice coil diameter	mm/in	99.2/4	
Re	Ohm	6.4	12
Flux density	T	1.9	
Diaphragm		Titanium	
Voice coil		Copper Clad Aluminium	
Magnet material		Neodymium	
Bolt circle diamete	mm	4xM6 holes 90° on 102	
Overall diameter	mm	154	
Overall depth	mm	69	
Net weight	Kg	3.7	

- AES power is measured with 6dB crest factor continuous pink noise in 2 hours duration.
- Max power is defined as 3dB higher than the nominal rating.
- Sensitivity is measured at one meter at 2.83V and 8 ohm nominal impedance.
- Sensitivity is measured at one meter at 4V and 16 ohm nominal impedance.

Dimension Drawings



Frequency Response and Impedance Magnitude Curve





NEODYMIUM
DRIVER

DH760

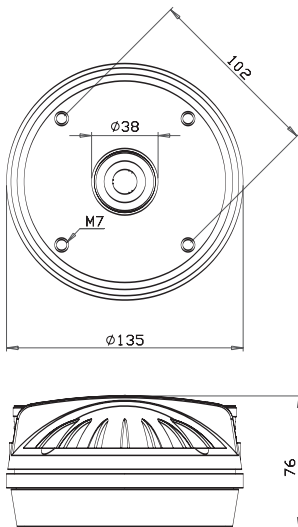
- 140 Watt Max Power
- 1.4 inch throat exit
- 74.5mm (3 inch) voice coil
- 900Hz to 20kHz frequency response
- 110dB 1W@1m sensitivity
- Neodymium magnet structure

Specifications

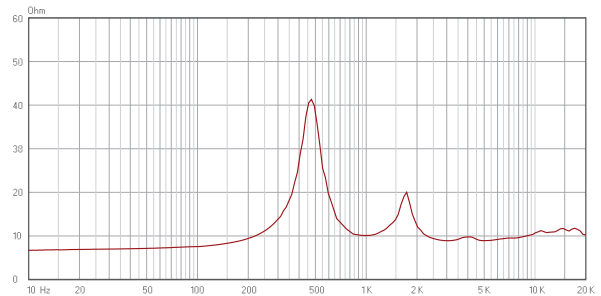
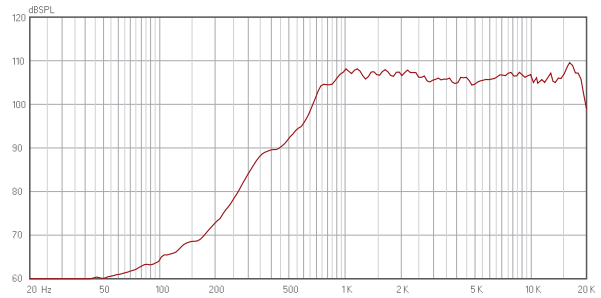
Model		DH760-8	DH760-16
Throat diameter	mm/in	35/1.4	
Power handling capacity	W	70	
Max power	W	140	
Nominal impedance	Ohm	8	16
Sensitivity (1W/1m)	dB	110	
Frequency range	Hz	900-20K	
Voice coil diameter	mm/in	74.5/3	
Re	Ohm	6	11.5
Flux density	T	1.9	
Diaphragm		Titanium + PEEK	
Voice coil		Copper Clad Aluminium	
Magnet material		Neodymium	
Bolt circle diameter	mm	4xM6 holes 90° on 102	
Overall diameter	mm	135	
Overall depth	mm	76	
Net weight	Kg	2.8	

- AES power is measured with 6dB crest factor continuous pink noise in 2 hours duration.
- Max power is defined as 3dB higher than the nominal rating.
- Sensitivity is measured at one meter at 2.83V and 8 ohm nominal impedance.
- Sensitivity is measured at one meter at 4V and 16 ohm nominal impedance.

Dimension Drawings



Frequency Response and Impedance Magnitude Curve



The Manufacturer of Professional Speaker

FERRITE

DRIVER

HB760

- 140 Watt Max Power
- 1.5 inch throat exit
- 74.5mm (3 inch) voice coil
- 900Hz to 20KHz frequency response
- 109dB 1W@1m sensitivity
- Ferrite magnet structure

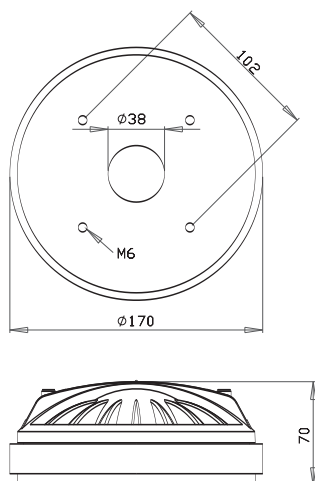


Specifications

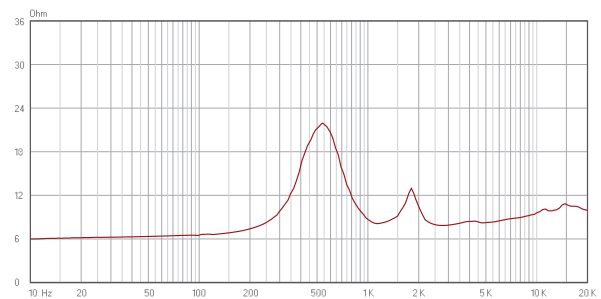
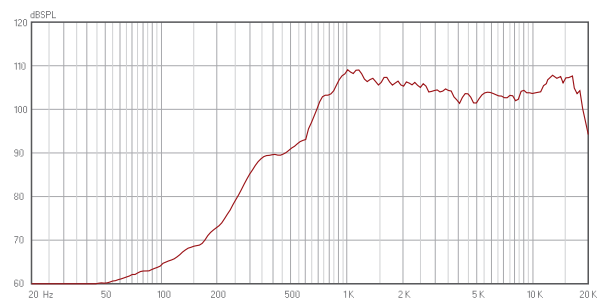
Model		HB760-8	HB760-16
Throat diameter	mm/in	38/1.5	
Power handling capacity	W	70	
Max power	W	140	
Nominal impedance	Ohm	8	16
Sensitivity (1W/1m)	dB	109	
Frequency range	Hz	900-20K	
Voice coil diameter	mm/in	74.5/3	
Re	Ohm	6	11.5
Flux density	T	1.8	
Diaphragm		Titanium + PEEK	
Voice coil		Copper Clad Aluminium	
Magnet material		ceramic	
Bolt circle diameter	mm	4xM6 holes 90° on 102	
Overall diameter	mm	170	
Overall depth	mm	70	
Net weight	Kg	4.7	

- AES power is measured with 6dB crest factor continuous pink noise in 2 hours duration.
- Max power is defined as 3dB higher than the nominal rating.
- Sensitivity is measured at one meter at 2.83V and 8 ohm nominal impedance.
- Sensitivity is measured at one meter at 4V and 16 ohm nominal impedance.

Dimension Drawings



Frequency Response and Impedance Magnitude Curve





NEODYMIUM
DRIVER

DH640

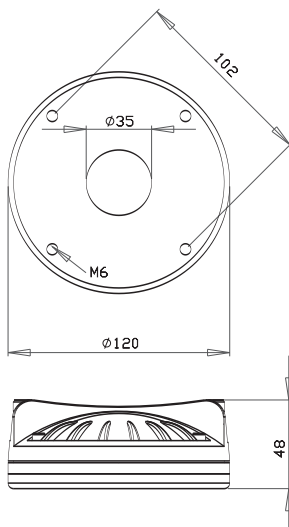
- 120 Watt Max Power
- 1.4 inch throat exit
- 63.5mm (2.5 inch) voice coil
- 1KHz to 20KHz frequency response
- 109dB 1W@1m sensitivity
- Neodymium magnet structure

Specifications

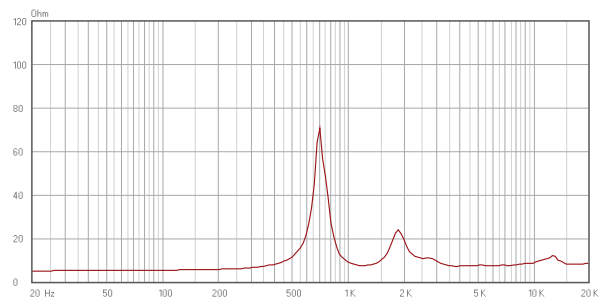
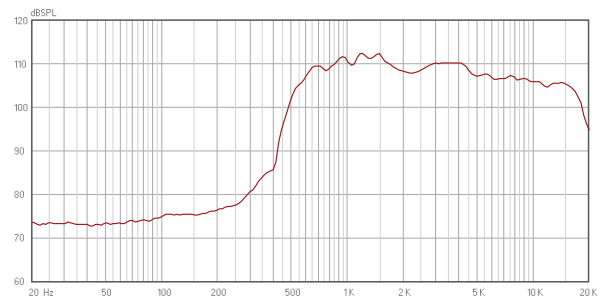
Model		DH640-8	DH640-16
Throat diameter	mm/in	35/1.4	
Power handling capacity	W	60	
Max power	W	120	
Nominal impedance	Ohm	8	16
Sensitivity (1W/1m)	dB	109	
Frequency range	Hz	1K-18K	
Voice coil diameter	mm/in	63.5/2.5	
Re	Ohm	5.5	11
Flux density	T	2	
Diaphragm		PEEK	
Voice coil		Copper Clad Aluminium	
Magnet material		Neodymium	
Bolt circle diamete	mm	4xM6 holes 90° on 102	
Overall diameter	mm	120	
Overall depth	mm	48	
Net weight	Kg	1.7	

- AES power is measured with 6dB crest factor continuous pink noise in 2 hours duration.
- Max power is defined as 3dB higher than the nominal rating.
- Sensitivity is measured at one meter at 2.83V and 8 ohm nominal impedance.
- Sensitivity is measured at one meter at 4V and 16 ohm nominal impedance.

Dimension Drawings



Frequency Response and Impedance Magnitude Curve



The Manufacturer of Professional Speaker

FERRITE

DRIVER

HB642

- 120 Watt Max Power
- 1.5 inch throat exit
- 63.5mm (2.5 inch) voice coil
- 1KHz to 18KHz frequency response
- 107dB 1W@1m sensitivity
- Ferrite magnet structure

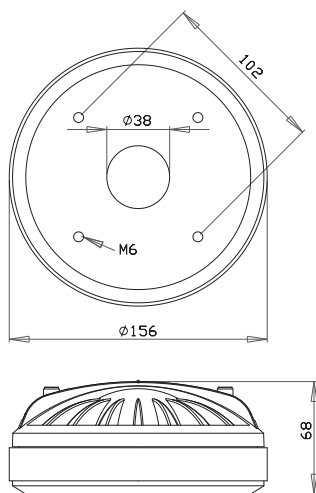


Specifications

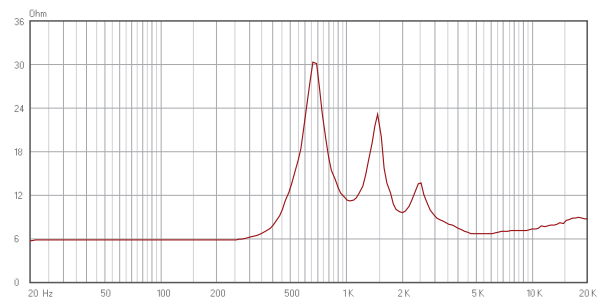
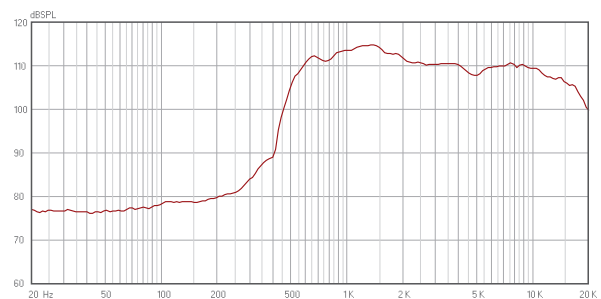
Model		HB640-8	HB640-16
Throat diameter	mm/in	38/1.5	
Power handling capacity	W	60	
Max power	W	120	
Nominal impedance	Ohm	8	16
Sensitivity (1W/1m)	dB	107	
Frequency range	Hz	1K-18K	
Voice coil diameter	mm/in	63.5/2.5	
Re	Ohm	5.5	11
Flux density	T	1.8	
Diaphragm		PEEK	
Voice coil		Copper Clad Aluminium	
Magnet material		Ceramic	
Bolt circle diamete	mm	4xM6 holes 90° on 102	
Overall diameter	mm	156	
Overall depth	mm	68	
Net weight	Kg	3.9	

- AES power is measured with 6dB crest factor continuous pink noise in 2 hours duration.
- Max power is defined as 3dB higher than the nominal rating.
- Sensitivity is measured at one meter at 2.83V and 8 ohm nominal impedance.
- Sensitivity is measured at one meter at 4V and 16 ohm nominal impedance.

Dimension Drawings



Frequency Response and Impedance Magnitude Curve





NEODYMIUM

DRIVER

DH450

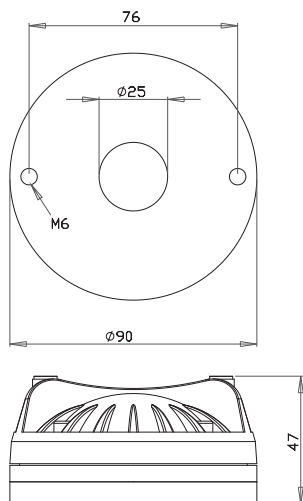
- 90 Watt Max Power •
- 1 inch throat exit •
- 44.4mm (1.75 inch) voice coil •
- 1.5KHz to 20KHz frequency response •
- 106dB 1W@1m sensitivity •
- Neodymium magnet structure •

Specifications

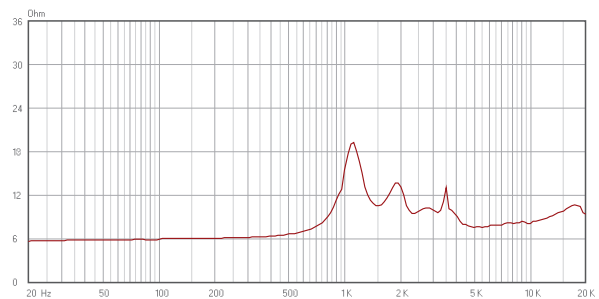
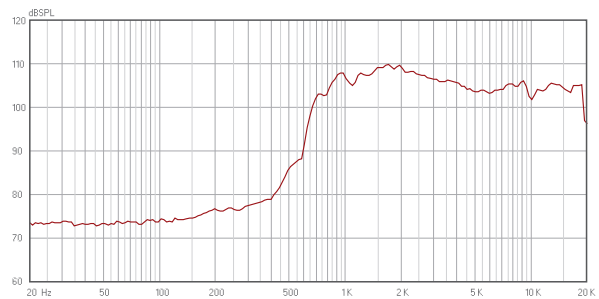
Model		DH450-8	DH450-16
Throat diameter	mm/in	25/1	
Power handling capacity	W	45	
Max power	W	90	
Nominal impedance	Ohm	8	16
Sensitivity (1W/1m)	dB	106	
Frequency range	Hz	1.5K-20K	
Voice coil diameter	mm/in	44.4/1.75	
Re	Ohm	6	11.5
Flux density	T	2	
Diaphragm		PEEK	
Voice coil		Copper Clad Aluminium	
Magnet material		Neodymium	
Bolt circle diamete	mm	4xM6 holes 180° on 76	
Overall diameter	mm	90	
Overall depth	mm	47	
Net weight	Kg	0.9	

- AES power is measured with 6dB crest factor continuous pink noise in 2 hours duration.
- Max power is defined as 3dB higher than the nominal rating.
- Sensitivity is measured at one meter at 2.83V and 8 ohm nominal impedance.
- Sensitivity is measured at one meter at 4V and 16 ohm nominal impedance.

Dimension Drawings



Frequency Response and Impedance Magnitude Curve



The Manufacturer of Professional Speaker

FERRITE

DRIVER

HB450

- 90 Watt Max Power
- 1 inch throat exit
- 44.4mm (1.75 inch) voice coil
- 1.5KHz to 20KHz frequency response
- 105dB 1W@1m sensitivity
- Ferrite magnet structure

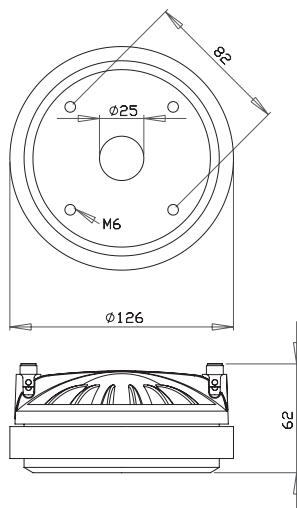


Specifications

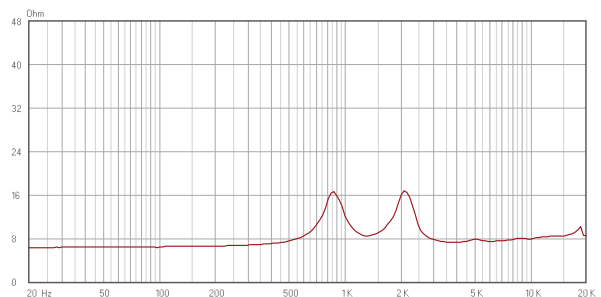
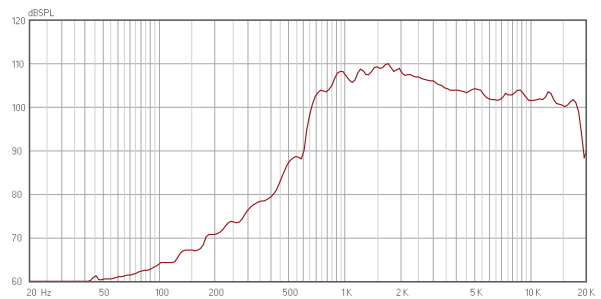
Model		HB450-8	HB450-16
Throat diameter	mm/in	25/1	
Power handling capacity	W	45	
Max power	W	90	
Nominal impedance	Ohm	8	16
Sensitivity (1W/1m)	dB	105	
Frequency range	Hz	1.5K-20K	
Voice coil diameter	mm/in	44.4/1.75	
Re	Ohm	6	11.5
Flux density	T	1.8	
Diaphragm		PEEK	
Voice coil		Copper Clad Aluminium	
Magnet material		Ceramic	
Bolt circle diamete	mm	4xM6 holes 90° on 82	
Overall diameter	mm	126	
Overall depth	mm	62	
Net weight	Kg	2.3	

- AES power is measured with 6dB crest factor continuous pink noise in 2 hours duration.
- Max power is defined as 3dB higher than the nominal rating.
- Sensitivity is measured at one meter at 2.83V and 8 ohm nominal impedance.
- Sensitivity is measured at one meter at 4V and 16 ohm nominal impedance.

Dimension Drawings



Frequency Response and Impedance Magnitude Curve



NEODYMIUM
DRIVER



D34



D34M

D34/D34M

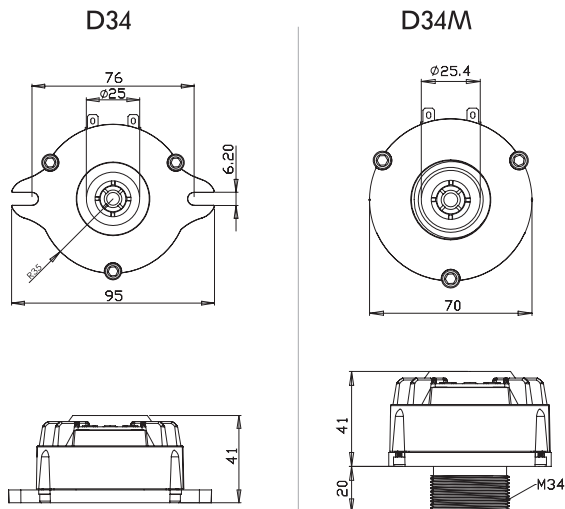
- 60 Watt Max Power
- 1 inch throat exit
- 34.4mm(1.35inch) voice coil
- 1.8KHz to 20KHz frequency response
- 107dB 1W@1m sensitivity
- Neodymium magnet structure

Specifications

Model		D34	D34M
Throat diameter	mm/in	25/1	25/1
Power handling capacity	W	30	30
Max power	W	60	60
Nominal impedance	Ohm	8	16
Sensitivity (1W/1m)	dB	107	107
Frequency range	Hz	1.8K-20K	1.8K-20K
Voice coil diameter	mm/in	34.4	34.4
Re	Ohm	5.5	12
Flux density	T	1.5	1.5
Diaphragm		Titanium	
Voice coil		Copper Clad Aluminium	
Magnet material		Neodymium	
Bolt circle diamete	mm	2XM6 on 76	M34
Overall diameter	mm	70	70
Overall depth	mm	41	61
Net weight	Kg	0.5	0.5

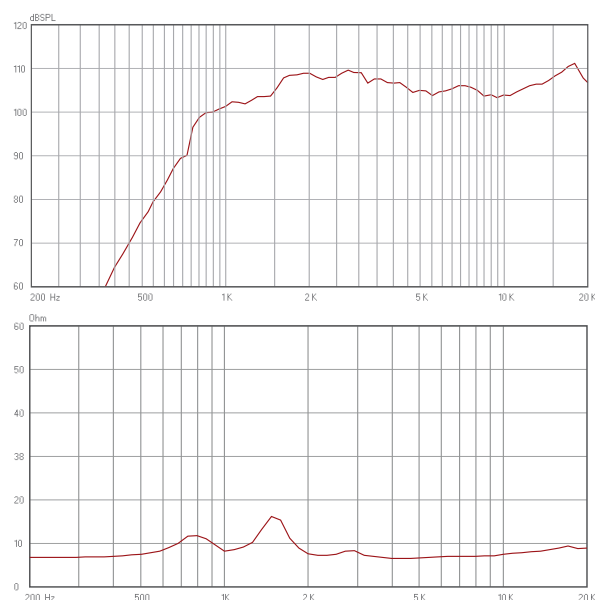
- AES power is measured with 6dB crest factor continuous pink noise in 2 hours duration.
- Max power is defined as 3dB higher than the nominal rating.
- Sensitivity is measured at one meter at 2.83V and 8 ohm nominal impedance.
- Sensitivity is measured at one meter at 4V and 16 ohm nominal impedance.

Dimension Drawings

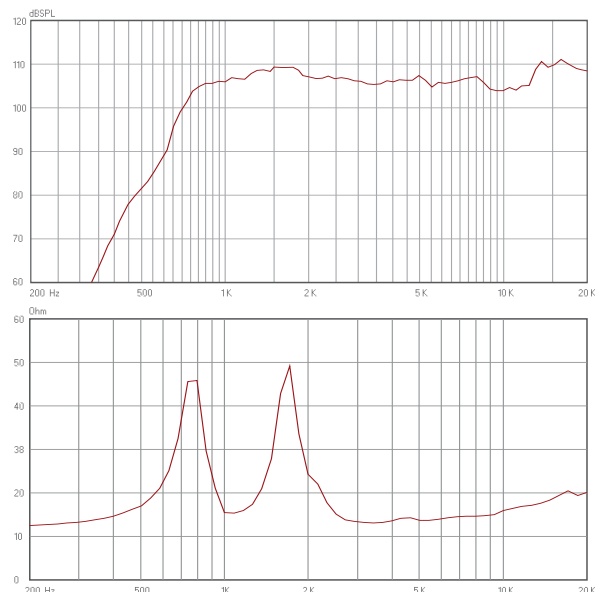


Frequency Response and Impedance Magnitude Curve

D34



D34M



The Manufacturer of Professional Speaker

FERRITE

DRIVER

H340A

- 60 Watt Max Power
- 1 inch throat exit
- 34.4mm(1.35inch) voice coil
- 1.8KHz to 20KHz frequency response
- 105dB 1W@1m sensitivity
- Ferrite magnet structure

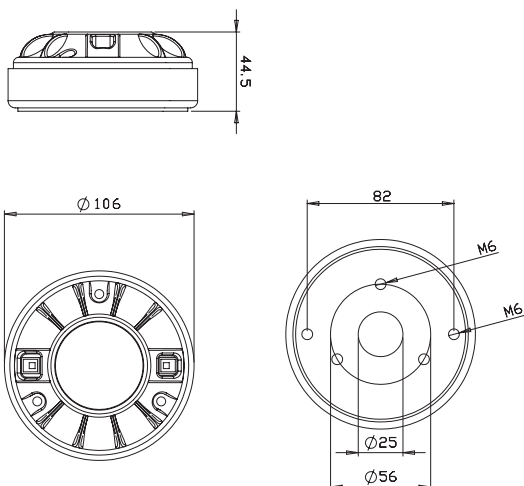


Specifications

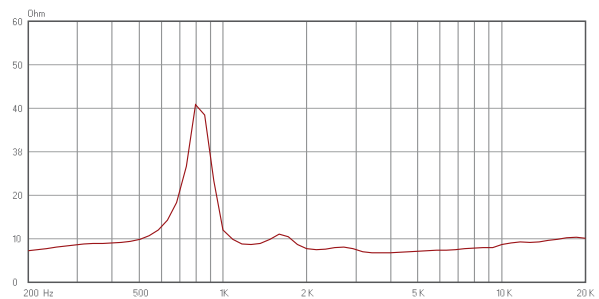
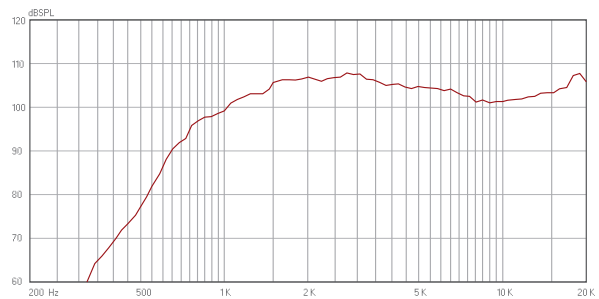
Model	H340A	
Throat diameter	mm/in	25/1
Power handling capacity	W	30
Max power	W	60
Nominal impedance	Ohm	8
Sensitivity (1W/1m)	dB	105
Frequency range	Hz	1.8K-20K
Voice coil diameter	mm/in	34.4
Re	Ohm	5.5
Flux density	T	1.4
Diaphragm		Titanium
Voice coil		Copper Clad Aluminium
Magnet material		Ferrite
Bolt circle diamete	mm	2XM6 on 82
Overall diameter	mm	106
Overall depth	mm	44.5
Net weight	Kg	1.4

- AES power is measured with 6dB crest factor continuous pink noise in 2 hours duration.
- Max power is defined as 3dB higher than the nominal rating.
- Sensitivity is measured at one meter at 2.83V and 8 ohm nominal impedance.
- Sensitivity is measured at one meter at 4V and 16 ohm nominal impedance.

Dimension Drawings



Frequency Response and Impedance Magnitude Curve





FERRITE

DRIVER

H257

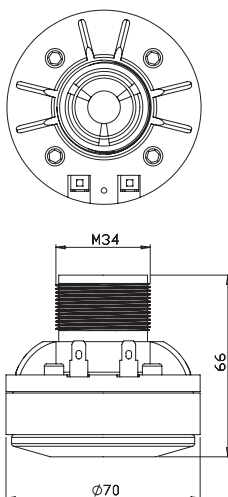
- 60 Watt Max Power
- 1 inch throat exit
- 25.5mm(1inch) voice coil
- 2KHz to 18KHz frequency response
- 102dB 1W@1m sensitivity
- Ferrite magnet structure

Specifications

Model	H257	
Throat diameter	mm/in	25/1
Power handling capacity	W	20
Max power	W	60
Nominal impedance	Ohm	8
Sensitivity (1W/1m)	dB	102
Frequency range	Hz	2K-18K
Voice coil diameter	mm/in	25.5
Re	Ohm	5.5
Flux density	T	1.4
Diaphragm		Resin
Voice coil		Copper Clad Aluminium
Magnet material		Ferrite
Bolt circle diamete	mm	M34
Overall diameter	mm	70
Overall depth	mm	66
Net weight	Kg	0.6

- AES power is measured with 6dB crest factor continuous pink noise in 2 hours duration.
- Max power is defined as 3dB higher than the nominal rating.
- Sensitivity is measured at one meter at 2.83V and 8 ohm nominal impedance.
- Sensitivity is measured at one meter at 4V and 16 ohm nominal impedance.

Dimension Drawings



Frequency Response and Impedance Magnitude Curve

